



**HYC-1031GD**



±1.5°C

Temperature Uniformity



2.5kWh

Energy Consumption



39dB(A)

Low Noise Level 39dB(A)

# Pharmacy Refrigerator

## Scope of Application

Used for storage of medicines, vaccines, reagents, biological products and other items that require a temperature between 2-8°C in hospitals, pharmacies, pharmaceutical factories, clinics and laboratories etc.

## Innovative Design

- High performance with low noise level
- Eco-friendly and energy saving
- Condensation free even at ambient 32°C & 80% RH
- Convenient monitoring and data export

### Qingdao Haier Biomedical Co., Ltd.

No.280 Feng Yuan Road, High-tech Zone,  
Qingdao, 266111, P.R. China  
E-mail: [inquiry@haierbiomedical.com](mailto:inquiry@haierbiomedical.com)  
Website: [www.haiermedical.com](http://www.haiermedical.com)



Apr, 2026



Haier Biomedical



Haier Biomedical  
International



Haier Biomedical  
International



Haier Biomedical  
International



Haier Biomedical  
International

**Product Features**



Eco-friendly hydrocarbon refrigerant (R290) and CFC- free polyurethane insulation for reduced global warming potential



Hermetically sealed compressor, forced-air circulation with auto defrost to ensure high cooling performance, temperature uniformity  $\leq \pm 1.5$  °C; anti-freezing thermostat is available to protect store items from freezing



Triple-paned tempered glass door with frame heater to reduce condensation even at 32 °C, 80% RH ambient; self-closing door hinge; magnetic gaskets to ensure a positive seal



Energy efficient interior LED lighting, side-mounted to enlighten full space



Optional USB module to easily record and export cabinet temperature and alarm data; optional RS485 port for easily external connection; optional printer to easily export cabinet temp data



Two 25mm probe access port on each side wall to accept user-provided monitoring equipment



Multiple alarm functions for safer monitoring, audible/visual alert with mute function; remote alarm contact is equipped as standard



Convenient security with a top-mounted unique-key lock



4 swivel casters with 2 leveling feet for easily movement and fixing



Digital controller with 0.1°C resolution with easy to check min/max temperature in the past 24 hours

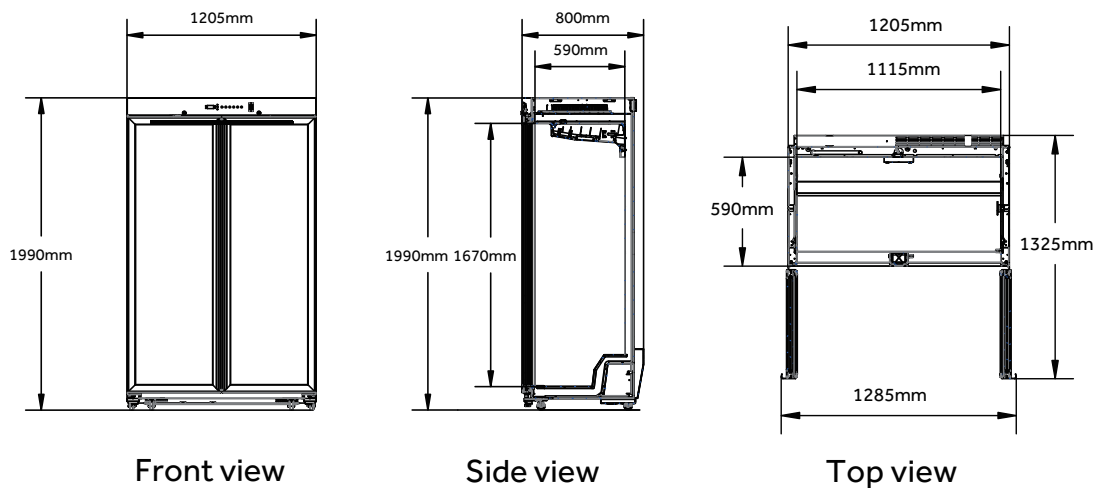


Adjustable plastic-coated wire shelves for improved circulation and flexible storage

**Product Details**



**Product Dimension**



**Specifications**



Model		HYC-1031GD	
<b>Technical Data</b>	Cabinet Type	Upright, Glass Door	
	Climate Class	N, 16-32°C	
	Cooling Type	Forced Air Cooling	
	Defrost Mode	Auto	
	Refrigerant	R290	
	Sound Level (dB(A))	39	
<b>Performance</b>	Temperature Range (°C)	2-8	
<b>Control</b>	Controller	Microprocessor	
	Display	LED	
<b>Electrical Data</b>	Power Supply (V/Hz)	220-240/50/60	
	Electrical Current (A)	2.2	
<b>Performance Characteristics</b>	Temperature Sensor	NTC	
	Power Consumption (kWh/24h)	2.48	
<b>Dimensions</b>	Capacity (L/Cu.Ft)	1031/36.4	
	Net/Gross Weight (approx)	(kg)	255/265
		(lbs)	562/584
	Interior Dimensions (W*D*H)	(mm)	1115*590*1670
		(in)	43.9*23.2*65.7
	Exterior Dimensions (W*D*H)	(mm)	1205*800*1990
		(in)	47.4*31.5*78.3
	Packing Dimensions (W*D*H)	(mm)	1310*925*2150
		(in)	51.6*36.4*84.6
	Container Load (20'/40'/40'H)	10/21/21	
<b>Alarms</b>	High/Low Temperature	Y	
	High Ambient Temperature	Y	
	Door Ajar	Y	
	Power Failure	Y	
	Low Battery	Y	
	Sensor Error	Y	
	Communication Failure	Y	
	Condenser Heat	Y	
	Remote Alarm	Y	
	Audible and Visual Alarm	Y	
<b>Accessories</b>	Caster	4	
	Foot	2	
	Shelves/Drawers	14/-	
	Printer	Optional	
	USB Interface	Optional	
	RS485	Optional	
	Plastic Basket	Optional	
<b>Material</b>	Exterior Material	Painted Steel	
	Interior Material	Painted Steel	
	Door Thickness (mm)	50	
	Cabinet Thickness (mm)	45	
	Shelves Material	Steel Wire, Coated with Plastic	
	No. of Shelves	12+2	
<b>Others</b>	Certification	CE, DIN13277 (Optional)	

\*Haier Biomedical reserves the right to change products and specifications without prior notice.