



DW-30L298SF/FL



Explosion Proof Interior



Green and Environmental
Friendly



Low Noise Design

Spark Free Freezer

Scope of Application

It can be used for safe storage of potentially flammable items and other temperature sensitive samples at low temperatures.

Applications found within life science, medical, electronics and chemical industries.

Innovative Design

- Microprocessor-controlled system
- Adjustable shelves
- Variety of configurations available
- Safety lock
- Feet and casters

Qingdao Haier Biomedical Co.,Ltd.

No.280 Feng Yuan Road, High-tech Zone,
Qingdao, 266109, P.R. China
E-mail: inquiry@haierbiomedical.com
Website: www.haiermedical.com



Haier Biomedical
International



Haier Biomedical
International



@haiermedicalint



Haier Biomedical
International



Haier Biomedical
International

Product Advantages



Explosion Proof Interior

ATEX II C-T6 Certified with spark-free interior.



Superior Temperature Uniformity

The temperature uniformity is $\pm 3^{\circ}\text{C}$ with a setting temperature of -30°C , ensuring precision and reliability.



High-efficiency and Energy-saving Compressor and System

High-efficiency hydrocarbon compressor, optimized refrigeration system and low power consumption usage will save both energy and costs.



Green and Environmental Friendly

Hydrocarbon refrigerant, energy saving and environmental protection, built with LBA foam insulation, complies with European RoHS Directive.



Low Noise Design

Experience a noise-free environment with noise-reduction features and structurally designed noise reduction system.



Multiple Alarm Functions

High/Low temperature, door ajar, power failure, sensor error, high ambient temperature alarm.

The remote alarm interface lets you stay updated and receive alerts both audibly and through flashing lights.



DW-30L298SF



DW-30L298FL

Anti-static operating instruction

1. Clean plastic parts with a damp cloth only.
2. Do not use a dry cloth to clean plastic parts.
3. Danger of sparks due to electrostatic discharge.
4. Warning - potential electrostatic charging hazard - see instructions.

WARNING

Laboratory Deep Freezer with explosion-proof interior

Interior Temp. Range : $-10 \sim -30^{\circ}\text{C}$ (DW-30L298FL/SF)

Internal II3/- G Ex ic IIC T6 Gc

Certification No.: CML 18ATEX4058X
Serial No.: In the Barcode
Qingdao Haier Biomedical Co., Ltd.

Ergonomic Design



Microprocessor-controlled System

Microprocessor control with LCD temperature display precision at 0.1°C. Internal temperature is adjustable from -10°C to -30°C



Variety of Configurations Available

Standard: DW-30L298SF interior material is PCM with 3 plastic coated wire shelves, DW-30L298FL interior material is SUS with 3 chrome-plated wire shelves

Optional: stainless steel shelves, drawer, temperature recorder, RS485 or USB (one out of two)



Adjustable Shelves

The adjustable shelves ensure the maximum usage efficiency of the internal space, and users can store items of different sizes as needed



Improved Handle Design

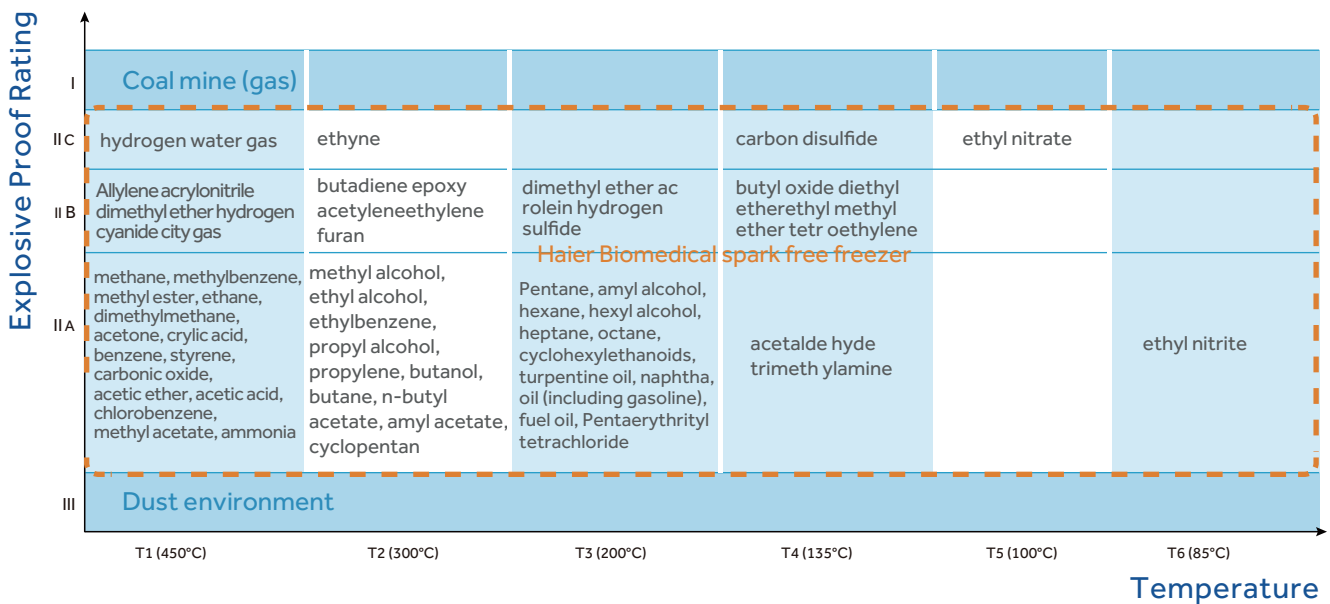
The ergonomic chamfer design of the handle ensures smooth operation and maximum durability



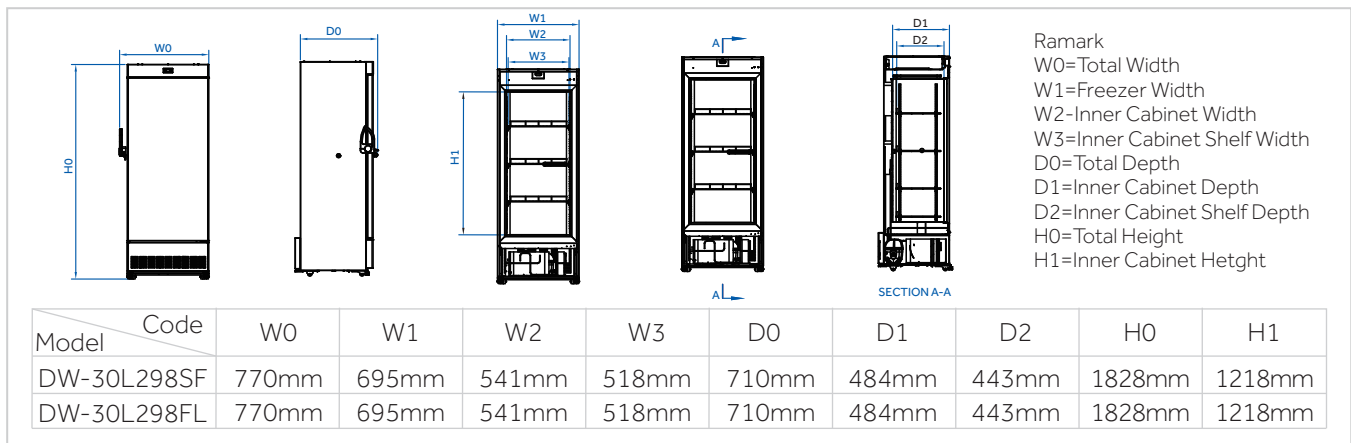
Feet and Casters

4 back-and-forth casters and 2 adjustable feet for easy moving and leveling

Application range



Product Dimension Drawings



Specifications



	Model	DW-30L298SF	DW-30L298FL	
Technical Data	Cabinet Type	Upright	Upright	
	Climate Class	SN N	SN N	
	Cooling Type	Direct Cooling	Direct Cooling	
	Defrost Mode	Manual	Manual	
	Refrigerant	HC	HC	
	Sound Level (dB(A))	41	41	
Performance	Cooling Performance (°C)	-30	-30	
	Temperature Range (°C)	-10--30	-10--30	
Control	Controller	Microprocessor	Microprocessor	
	Display	LCD	LCD	
Electrical Data	Power Supply (V/Hz)	220-240/50	220-240/50	
	Electrical Current (A)	2.5	2.5	
Dimensions	Capacity (L/Cu.Ft)	298/10.5	298/10.5	
	Net/Gross Weight (approx)	(kg)	125/140	125/140
		(lbs)	275.6/308.6	275.6/308.6
	Interior Dimension (W*D*H)	(mm)	541*443*1218	541*443*1218
		(in)	21.3*17.4*48.0	21.3*17.4*48.0
	Exterior Dimension (W*D*H)	(mm)	770*710*1828	770*710*1828
		(in)	30.3*28.0*72.0	30.3*28.0*72.0
	Packing Dimension (W*D*H)	(mm)	840*770*2000	840*770*2000
(in)		33.1*30.3*78.7	33.1*30.3*78.7	
	Container Load (20'/40'/40'H)	21/42/42	21/42/42	
Alarms	High/Low Temperature	Y	Y	
	Remote Alarm	Y	Y	
	Power Failure	Y	Y	
	Sensor Error	Y	Y	
	Low Battery	N	N	
	High Ambient Temperature	Y	Y	
	Dirty Condenser	N	N	
	Door Ajar	Y	Y	
Accessories	Castor	Y	Y	
	Leveling Feet	Y	Y	
	Porthole	N	N	
	Drawers/Inner Doors	Optional/N	Optional/N	
	Adjustable Shelves	Y (3)	Y (3)	
	USB Interface	Optional	Optional	
	RS485	Optional	Optional	
	NFC	N	N	
	Temperature Recorder	N	N	
Others	Certificate	ATEX explosion proof certificate,CE	ATEX explosion proof certificate,CE	

*Haier Biomedical reserves the right to change products and specifications without prior notice.