

-40°C Biomedical Freezer



DW-40L298J/418D/528D

Scope of Application:

Suitable for the storage of plasma, biological material, reagents and other essential items. Used within hospitals, disease prevention, academia and commercial laboratories.

Innovative Design

- Multiple alarms ensure the safety of the stored samples
- Environmentally-friendly
- Superior uniformity
- Adjustable shelves to facilitate and customize storage space
- Energy Saving Hydrocarbon Technology
- Low noise

Qingdao Haier Biomedical Co.,Ltd.

No.280 Feng Yuan Road, High-tech Zone,
Qingdao, 266109, P.R. China
Tel: +86-0532-88935593
E-mail: inquiry@haierbiomedical.com
Website: www.haiermedical.com



Haier Biomedical
International



Haier Biomedical
International



@haiermedicalint



Haier Biomedical
International



Haier Biomedical
International

Product Advantages



HC energy-saving

High efficiency hydrocarbon compressor and refrigeration technology for a lower energy consumption



Environmental protection

Hydrocarbon refrigerant, LBA foam polyurethane insulation layer



Superior uniformity

With the optimized system design, the temperature uniformity of the characteristic point is $\pm 3^{\circ}\text{C}$, and the uniformity of the whole temperature zone is controlled within $\pm 5^{\circ}\text{C}$



Adjustable shelves

Built-in evaporator and adjustable shelves provides large available interior space. Users can store items of different sizes as needed

Ergonomic Design



Low noise

Optimized hydrocarbon system and structure noise reduction design ensures low noise output and quieter operation



Complete configuration

Optional USB interface, chart recorder, RS485, stainless steel shelf, plastic drawer and plastic basket



Multiple alarms

Including high/low temperature alarm, sensor error alarm, power failure alarm, door ajar alarm, high ambient temperature alarm, low battery alarm
Alarm mode: Audible/visual and remote alarm



Microcomputer control

Microcomputer electronic temperature controller, LED digital display, display precision is 0.1°C , the adjustable temperature range is -20°C to -40°C



DW-40L298J



DW-40L418D



DW-40L528D

Product Parts

Control Panel

Microcomputer electronic temperature controller, LED digital display, display precision is 0.1°C

Porthole

Equipped with two standard portholes (inner diameter 25mm) on the left and right sides of the freezer, convenient for users to conduct independent testing

Adjustable Shelves

The adjustable shelves ensure the maximum usage efficiency of the internal space, and users can store items of different sizes as needed

Feet and Casters

4 back-and-forth casters and 2 adjustable feet for easy moving and leveling

Safety Lock

Mechanical lock and lock catch, separate key for the two standard mechanical locks and the lock catch allows the users equip the padlock if necessary. Secure and safe storage, convenient for multiple users.

USB Interface (Optional)

Enables users to download historical temperature data

Chart Temperature Recorder (Optional)

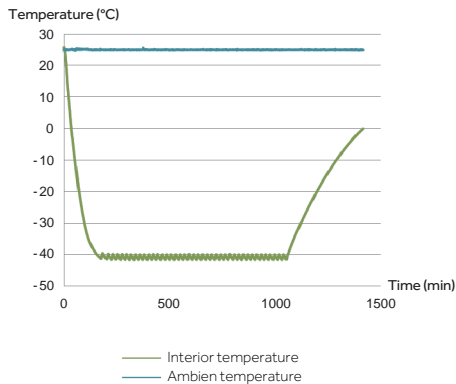
Logs temperature over a 7-day period and tracks trends in real-time, hard copies can be retained for compliance



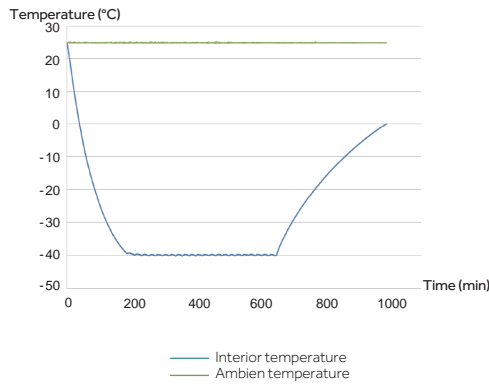
DW-40L528D

Temperature Curve

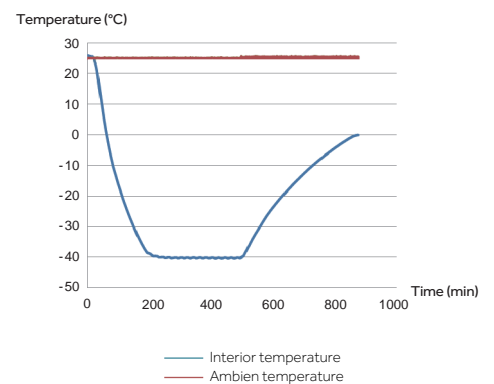
DW-40L298J Typical Performance Characteristics at 25°C ambient



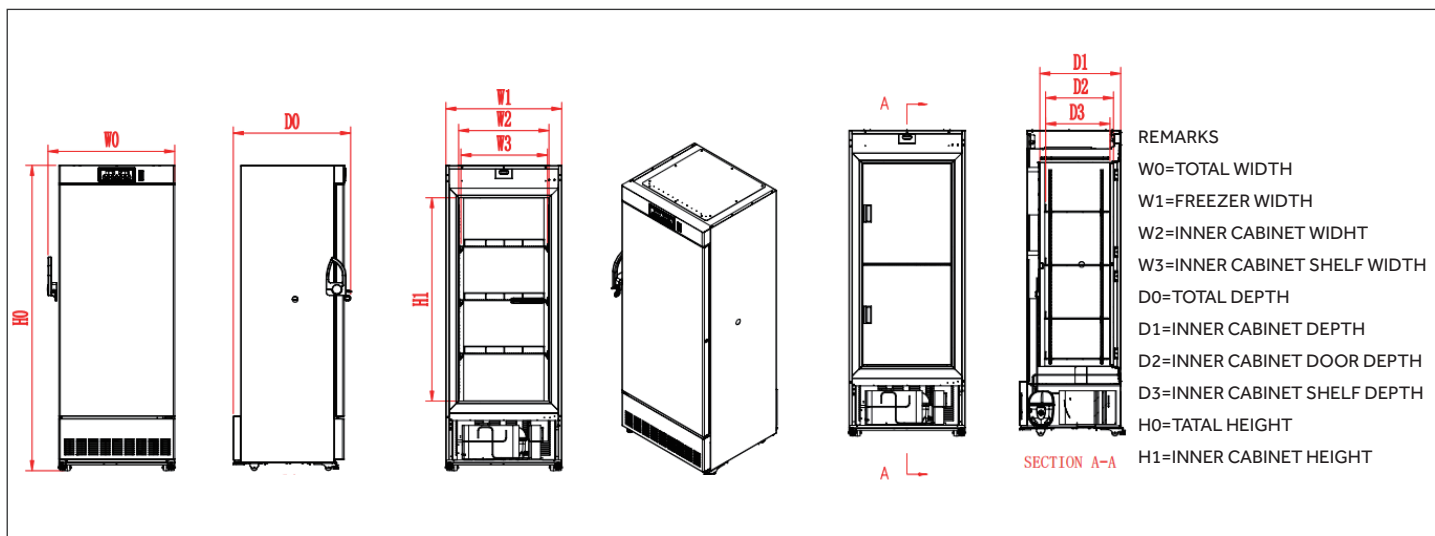
DW-40L418D Typical Performance Characteristics at 25°C ambient



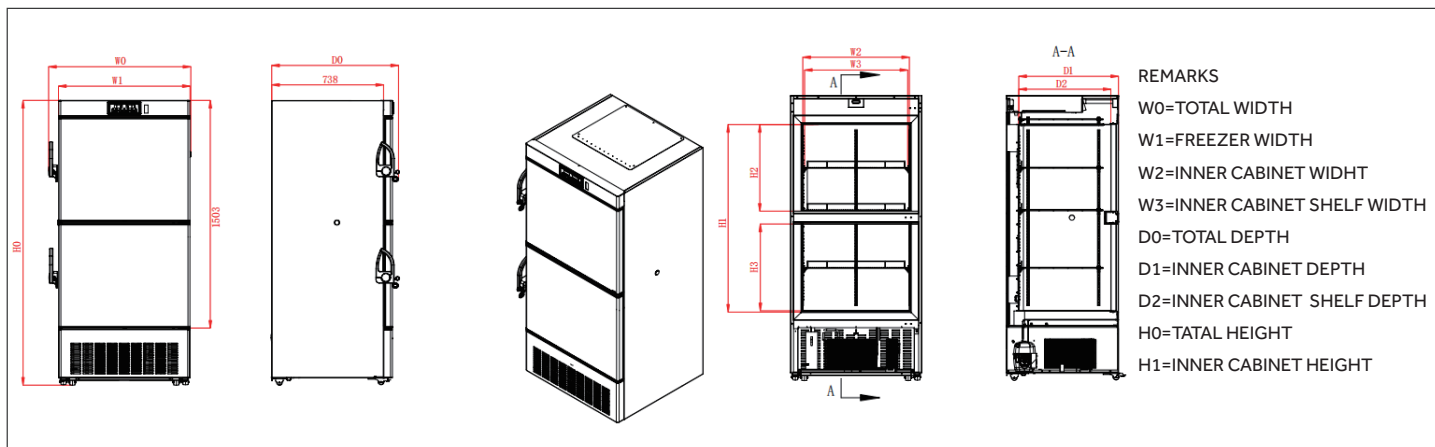
DW-40L528D Typical Performance Characteristics at 25°C ambient



Product Dimensions



Model	CODE(mm)									
	W0	W1	W2	W3	D0	D1	D2	D3	H0	H1
DW-40L298J	770	695	541	518	710	484	443	384	1828	1218



Model	CODE(mm)										
	W0	W1	W2	W3	H0	H1	H2	H3	D0	D1	D2
DW-40L528D	940	865	704	680	1878	1230	572	572	845	657	620
DW-40L418D	790	715	554	550	1878	1230	572	572	845	657	620

Specifications

	Model	DW-40L298J	DW-40L418D	DW-40L528D	
Technical Data	Cabinet Type	Upright	Upright	Upright	
	Climate Class	SN N	SN N	SN N	
	Cooling Type	Direct cooling	Direct cooling	Direct cooling	
	Defrost Mode	Manual	Manual	Manual	
	Refrigerant	HC	HC	HC	
	Sound Level (dB(A))	39.2	41.7	46.6	
Performance	Cooling Performance (°C)	-40	-40	-40	
	Temperature Range (°C)	-20~-40	-20~-40	-20~-40	
Control	Controller	Microprocessor	Microprocessor	Microprocessor	
	Display	LED	LED	LED	
Electrical Data	Power Supply (V/Hz)	220-240/50	220-240/50	220-240/50	
	Power (W)	570	640	630	
	Electrical Current (A)	4.1	4.2	5.7	
Dimensions	Capacity (L/Cu.Ft)	298/10.5	418/14.8	531/18.8	
	Net/Gross Weight	kg	125/140	145/165	180/205
		lbs	275.6/308.6	319.7/363.8	396.8/451.9
	Interior Dimensions (W*D*H)	mm	541*443*1218	554*620*1230	704*620*1230
		in	21.3*17.4*48.0	21.8*24.4*48.4	27.7*24.4*48.4
	Exterior Dimensions (W*D*H)	mm	770*710*1828	790*845*1878	940*845*1878
		in	30.3*28.0*72.0	31.1*33.3*73.9	37.0*33.3*73.9
	Packing Dimensions (W*D*H)	mm	832*757*1992	852*927*2044	997*927*2044
in		32.8*29.8*78.4	33.5*36.5*80.5	39.3*36.5*80.5	
	Container Load (20'/40'/40'H)	21/42/42	12/28/28	12/24/24	
Alarms	High/Low Temperature	Y	Y	Y	
	Remote Alarm	Y	Y	Y	
	Power Failure	Y	Y	Y	
	Sensor Error	Y	Y	Y	
	Low Battery	Y	Y	Y	
	High Ambient Temperature	Y	Y	Y	
	Door Ajar	Y	Y	Y	
Accessories	Caster	Y	Y	Y	
	Foot	Y	Y	Y	
	Porthole	Y	Y	Y	
	Drawers/Inner Door	Optional/2	Optional/-	Optional/-	
	USB Interface	Optional	Optional	Optional	
	RS485	Optional	Optional	Optional	
	Temperature Recorder	Optional	Optional	Optional	
Certification	CE	Y	Y	Y	

*Haier Biomedical reserves the right to change products and specifications without prior notice.