



HYC-1031GD



Noise Level



Energy
Consumption



Temperature
Uniformity

Pharmacy Refrigerator

Scope of Application

Used for storage of medicines, vaccines, reagents, biological products and other items that require a temperature between 2-8°C in hospitals, pharmacies, pharmaceutical factories, clinics and laboratories etc.

Innovative Design

- Microprocessor controller, display with resolution of 0.1°C
- Self-closing door with magnetic gasket for positive seal
- Multiple alarm functions for safer monitoring

Qingdao Haier Biomedical Co.,Ltd.

No.280 Feng Yuan Road, High-tech Zone,
Qingdao, 266109, P.R. China
Tel: +86-0532-88935593
E-mail: inquiry@haierbiomedical.com
Website: www.haiermedical.com



Haier Biomedical
International



Haier Biomedical
International



@haiermedicalint




Haier Biomedical
International



Haier Biomedical
International

Product Advantages

- 

Low energy consumption: 2.5 kWh/day^①
- 

Excellent performance: temperature uniformity $\leq \pm 1^\circ\text{C}$ ^②
- 

Quiet operation: 39dB (A)
- 

Intelligent anti-condensation: triple-paned tempered glass door with door frame heater, effectively reduces condensation even at 32°C, 80% RH ambient temperature
- 

Optional USB, RS485 and printer, easy to export temperature data; all events and alarms will be recorded by the USB module
- 

Eco-friendly hydrocarbon refrigerant (R290) and CFC-free polyurethane insulation for reduced global warming
- 

Hermetically sealed compressor, forced-air circulation and automatic defrost to ensure high cooling performance
- 

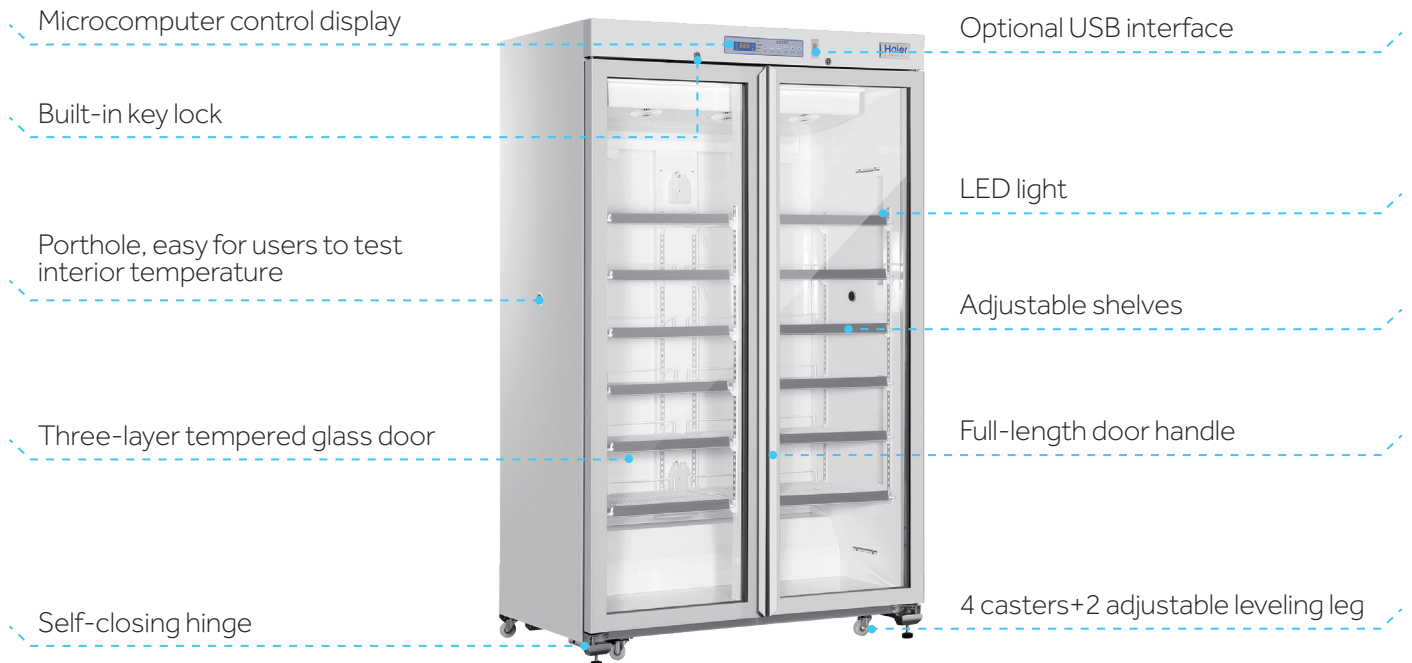
Microprocessor controller, display with resolution of 0.1°C
- 

Self-closing door with magnetic gasket for positive seal
- 

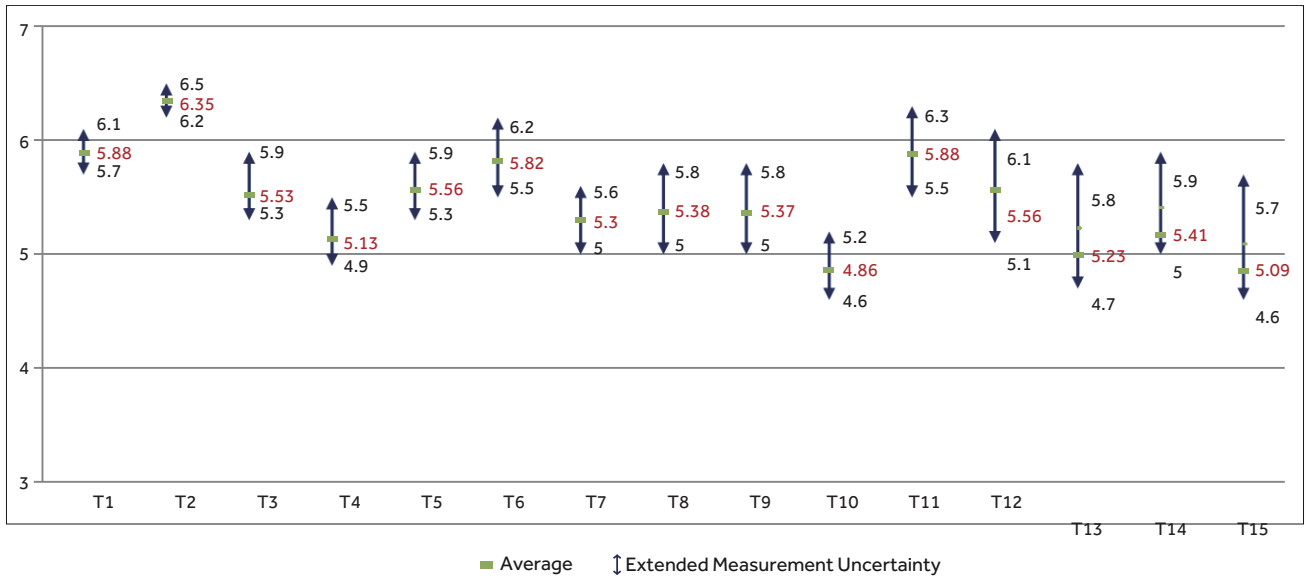
Multiple alarm functions for safer monitoring

* ①&②: Tested by TUV according to DIN13277

Product Parts

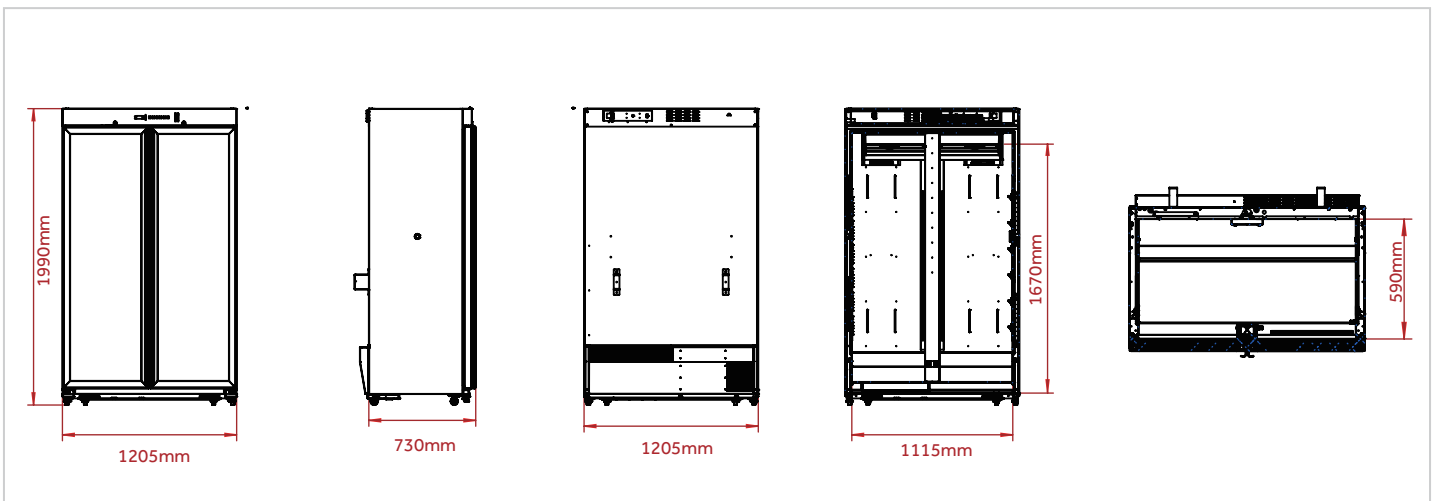


Cabinet Temperature



* Tested by TUV according to DIN13277 (Ambient Temperature: 25°C Setpoint: 5°C Unloaded)

Product Dimension



Specifications



Model		HYC-1031GD
Technical Data	Cabinet Type	Upright
	Climate Class	N, 16~32°C
	Cooling Type	Forced air circulation
	Defrost Mode	Auto defrost
	Refrigerant	R290, 80g
	Sound Level (dB(A))	39
Performance	Temperature Range (°C)	2-8
Control	Controller	Microprocessor
	Display	LED
Electrical Data	Power Supply (V/Hz)	220~240; 50/60
	Power (W)	380
	Electrical Current (A)	2.2
	Power Consumption (kWh/day)	2.5
Dimensions	Capacity (L/Cu.Ft)	1031
	Net/Gross Weight (approx)	(kg) 255/265
	Interior Dimensions (W*D*H)	(mm) 1115*590*1670
	Exterior Dimensions (W*D*H)	(mm) 1205*730*1990
	Packing Dimensions (W*D*H)	(mm) 1260*905*2110
	Container Load (20'/40'/40'H)	10/22/22
Alarms	High/Low Temperature	Y
	High Ambient Temperature	Y
	Door Ajar	Y
	Power Failure	Y
	Low Battery	Y
	Sensor Error	Y
	Communication Failure	Y
	Condenser Heat	Y
Remote Alarm	Y	
Accessories	Caster	4
	Foot	2
	Porthole	2
	Shelves/Drawers	12/-
	Printer	Optional
	USB Interface	Optional
	RS485	Optional
Other	Certification	CE, DIN13277 (Optional)

*Haier Biomedical reserves the right to change products and specifications without prior notice.