

Plasma Blast Freezer



XSD-24FL

Scope of Application:

Mainly intended for the quick-frozen treatment of blood plasma or biological samples to a core below -30°C within 1 hour in blood stations or medical institutions.

Innovative Design

- ◎ Precise temperature control
- ◎ Traceability of each freezing cycle
- ◎ Low freezing temperature
- ◎ Maximum freezing efficiency

Qingdao Haier Biomedical Co.,Ltd.

No.280 Feng Yuan Road, High-tech Zone,
Qingdao, 266109, P.R. China
Tel: +86-0532-88935593
E-mail: inquiry@haierbiomedical.com
Website: www.haiermedical.com



Haier Biomedical
International



Haier Biomedical
International



@haiermedicalint



Haier Biomedical
International



Haier Biomedical
International

Ergonomic Design



Flexible set up

The storage temperature, freezing time, and defrosting time can be flexibly set as required



Simple operation

All pre-cooling, freezing, defrosting procedures are controlled by PLC control module, simple operation, avoid wrong operation, ensure plasma safety



Rapid-freezing tray design

Rapid-freezing tray design, not only to improve the efficiency of plasma rapid-freezing, but also easy to save labor



Electric lifting system

Height control is more accurate and quieter than pneumatic lifting system



Password protection

Parameter setting is password protected to ensure plasma safety



Friendly interface

Friendly interface display design, clearer temperature observation

Product Advantages



Low rapid-freezing temperature

Rapid-freezing temperature can be reduced to -60°C , superior performance



Data is printable and the information traceable

Plasma storage data and corresponding curves can be exported via USB, which is convenient for information traceability



Precise temperature control, control precision 1°C

PLC control module, the system is stable and reliable, temperature control precision 1°C , to ensure the safety of plasma



Plate rapid-freezing, efficient cooling

The central temperature of full-load plasma can be quickly frozen to below -30°C within 45 minutes, which effectively guarantees the activity of factor VIII



Efficient core components, energy saving

High efficiency compressor and dual-cooling system, better performance; Hydrocarbon refrigerant, energy saving and environmental protection

Product Features



Plasma Blast Freezer

Plate rapid-freezing

Blood bags are placed between the upper and lower cold plates to achieve rapid freezing through contact and heat conduction. The appearance of quick-frozen blood bags is smooth.

Double stage cooling system

The refrigeration efficiency is 20% higher than that of single stage. The double-stage compressor is more stable, more efficient and faster than single stage compressor under lower temperature conditions.

Energy-saving, frequency conversion fan

Automatically adjust the air speed according to the requirements of the refrigeration system, and operates at a low speed during the system stable stage, resulting in lower noise and reduced energy consumption.

Intelligent screen

The 10-inch touch screen is convenient to view the temperature curve and data, record the rapid-freezing time in real time, and adjust the temperature parameters through the display screen, which is efficient and fast.

Product Parts

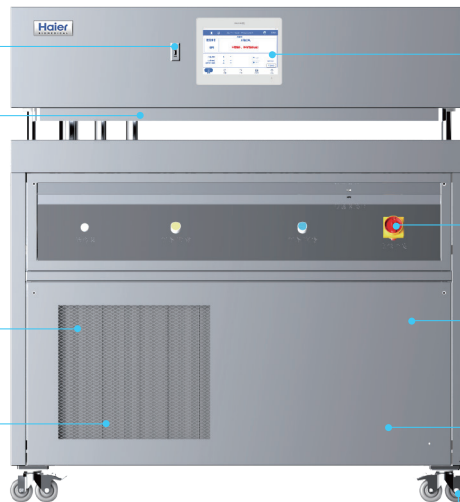


USB interface, easy to export data

Direct contact refrigeration, improve the heat transfer rate

Finned condenser, suitable for frequency conversion fan, better performance

Frequency conversion fan, energy saving and environmental protection



Intelligent screen allows to adjust the parameters according to requirements

Power switch, emergency power off in special circumstances

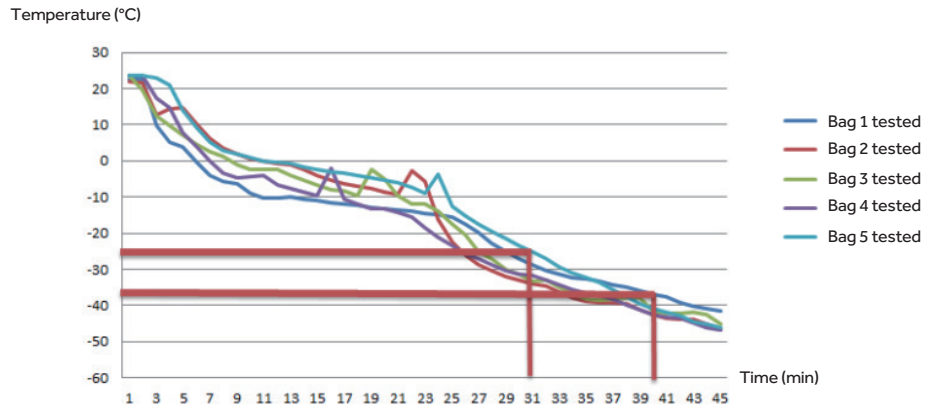
Double stage refrigeration compressor, better refrigeration performance

PLC control, stable and reliable

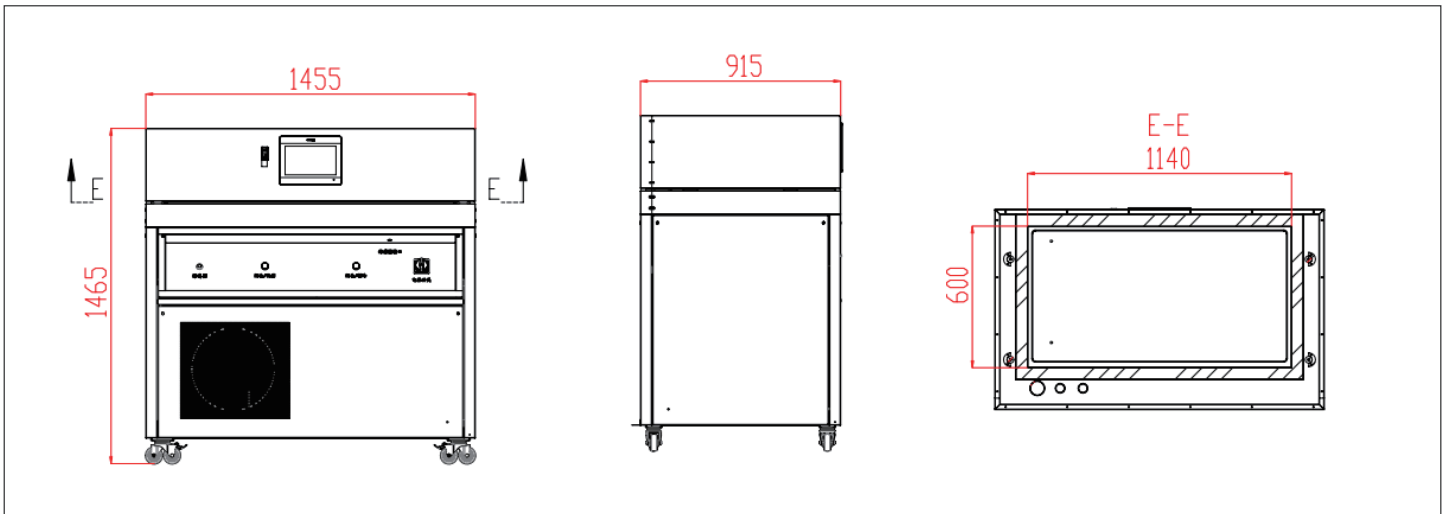
Universal caster, easy to move, front caster with locking device, easy to fix

Temperature Curve

Cooling Down Curve



Product Dimensions



Specifications

Model	Rapid-cooling type	Power supply	Cooling method	Power cord	External dimension	Weight
XSD-24FL	Plate contact refrigeration	3N 380V-50HZ/60HZ	Forced air cooling	Plug and play	1455*915*1465mm	480kg

Product appearance and specifications are subject to change without notice