

Mobile Cryo Station

Low Temperature Transport Trolley



YDC-3000H

Scope of Application

The unit can be used to preserve plasma and biomaterials during transportation. It is suitable for deep hypothermia operation and transportation of samples in hospitals, various biobanks and laboratories. High quality stainless steel in combination with the thermal insulation layer ensures the effectiveness and durability of the low temperature transfer trolley.

Ergonomic Design

- ◉ Corrosion Resistant
- ◉ Touch Screen
- ◉ USB Data Export
- ◉ Magnetic Insulation Cover
- ◉ Real Time Monitoring of Temperature and Liquid Level

Haier Biomedical UK Ltd.

Ocean House, 121 Harris Way,
Sunbury, Surrey, TW16 7EL
Tel: (01932)780 070

Email: sales@haierbiomedical.co.uk
Website: www.haierbiomedical.co.uk



@HaierBiomedicalUK



Haier Biomedical UK



Haier Biomedical



@HaierBiomedical

Product Advantages



Touch Screen
LCD, touch operation.



USB Data Export
It has its own USB interface and supports USB data export.



Real Time Monitoring
The instrument monitors the temperature and liquid level in real time and displays the expected remaining service time. Continuous working hours up to 24 hours.



User Friendly Design



Exterior Coating
Exterior coating: corrosion resistant and easy to maintain



Caster Design
Integrated design, universal caster at the bottom, easy to move.

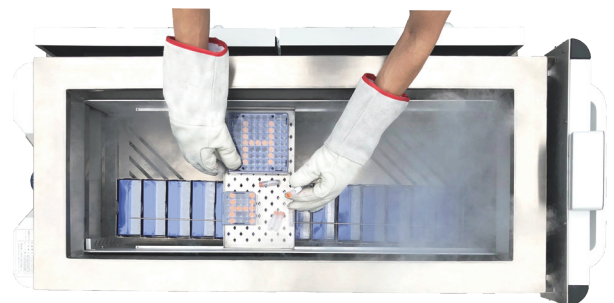
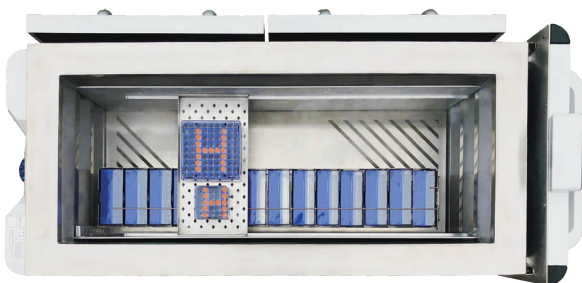


High Polymer Materials
The new type of environmentally-friendly polymer material is used inside the cover plate, which is more appealing, more environment-friendly and more advanced than the commonly used pearl foam and polyurethane materials.

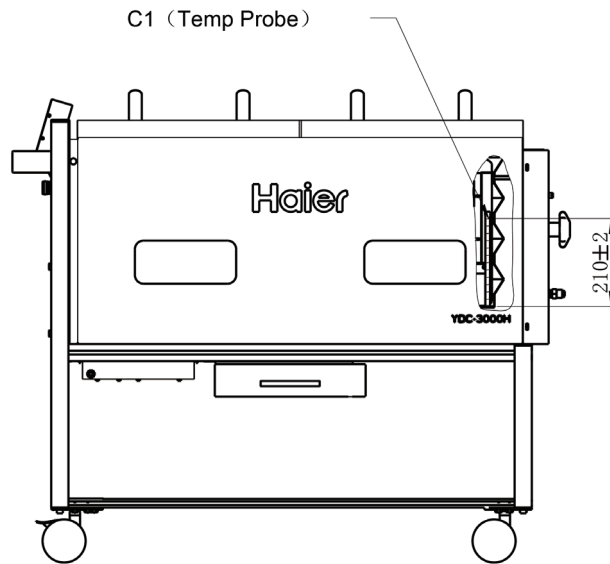


Magnetic Cover
For convenience, the insulation cover is magnetic to attach to the side whilst in use, such that the space reserved at the bottom can be used to store other tools and other materials.

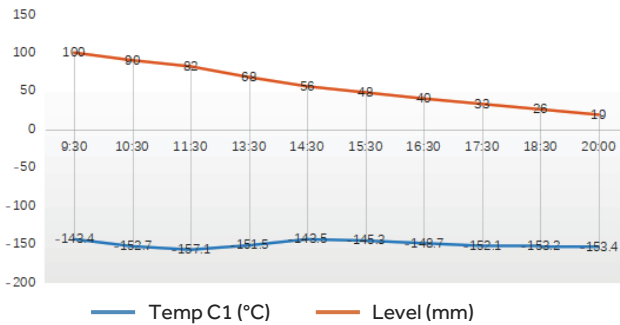
Ariel View



Temperature and Liquid Level Test Graph



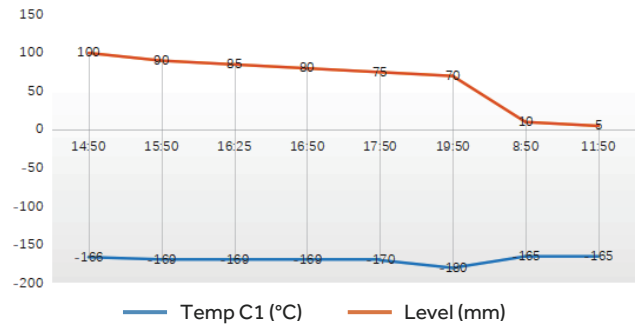
Temperature and Liquid Level Test Graph



Liquid level of 100mm, one cover opened

- ① Condition: liquid level of 100mm, with one cover opened;
- ② Ambient temperature: on average 8°C;
- ③ Result: YDC-3000H is able to maintain temperature below -140°C for 13.5 hours with one lid opened.

Temperature and Liquid Level Test Graph



Liquid level of 100mm, no cover opened

- ① Condition: liquid level of 100mm, no cover opened;
- ② Ambient temperature: on average 8°C;
- ③ Result: YDC-3000H is able to maintain temperature below -140°C for over 24 hours with no cover opened.

Parameters

Product Model	Temperature Range(°C)	Dimensions (L*W*H)(mm)	Frozen Storage Space (L*W*H)(mm)	Packing Dimensions (L*W*H)(mm)	Gross Weight (kg)	Net Weight (kg)
YDC-3000H	-196-ambient temperature	1295*523*1095	900*335*163	1450*700*1310	208	140

Liquid Nitrogen Under Tray (L)	Maximum Storage				
	5*5 Freezing Boxes (ea)	10*10 Freezing Boxes (ea)	50ml Blood Bag Boxes (ea)	200ml Blood Bag Boxes (ea)	2ml Cryopreservation Tube (ea)
33	65	30	105	50	3000