

Haier Biomedical Vaccine Carry Transport Solution



Product Features



Independent operation mode
without any external power supply



Suitable for storage & transport of
COVID-19 vaccine (-70°C)



Standard locking cap to ensure the
safety of vaccines

Qingdao Haier Biomedical Co.,Ltd.

No.280 Feng Yuan Road, High-tech Zone,
Qingdao, 266109, P.R. China
Tel: +86-0532-88935593
Website: www.haiermedical.com



Haier Biomedical
Intelligent Protection of Life Science



Haier Biomedical
International



Haier Biomedical
International



@haiermedicalint



@haierbiomedicalint



Haier Biomedical
International

Haier Biomedical Vaccine Carry Transport Solution

Product Advantages



The vaccine storage temperature zone kept at $-68^{\circ}\text{C}\sim-78^{\circ}\text{C}$. A single dry ice supply can provide an extended time period of guarantee.



-70°C deep freezing provides a shelf life of COVID-19 vaccines for up to 6 months.



Specifically designed for transportation of vaccines to ensure the safety, reliability and security of vaccine transportation.



This solution is more convenient and efficient in transportation compared with other competing products with the same capacity.



Large vaccine capacity.



Temperature recorder is optional to ensure the temperature safety of the sample vaccine storage environment.

* HVC-10-125 & HVC-14-216 is supplied with the following storage box

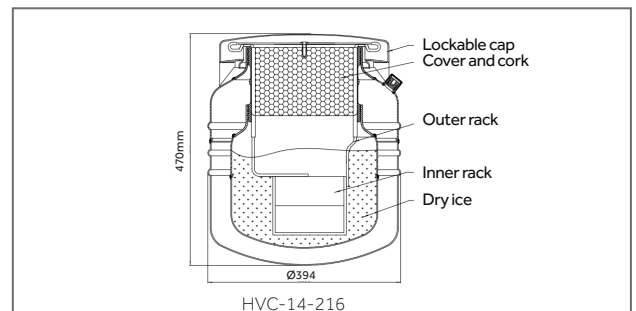
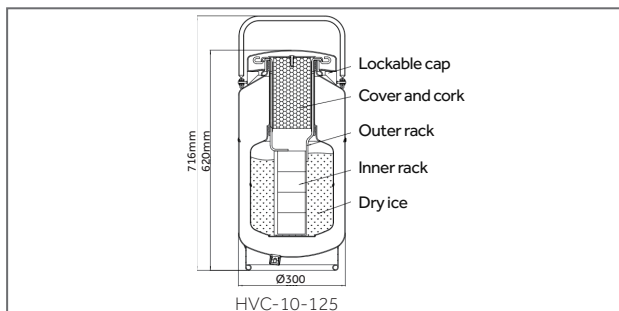


HVC-10-125



HVC-14-216

Schematic Diagram of Product



Product Parameters

Model	Storage temperature ($^{\circ}\text{C}$)	Exterior dimension (mm)	Effective volume (L)	Neck opening (mm)	Empty weight (kg)	Daily dry ice consumption (kg)	Static storage life (Day)
HVC-10-125	-70	350*350*770	10	125	15	0.16	60
HVC-14-216		440*440*620	14	216	16	0.69	20

Ambient temperature: under 12°C ; Insulation medium: Dry ice; Select the appropriate vaccine and loading volume according to the neck opening of the container