



Pharmacy Refrigerator

HYC-639

Scope of Application :

Designed for clinical and pharmaceutical use, applications include pharmacy, pharmaceutical production and supply chain, public health, hospital and primary care. Suitable for storage of biological products, pharmaceuticals, medicine and vaccines at a temperature between 2-8°C.

Innovative Design

- Energy efficient
- Excellent temperature uniformity
- Quiet
- Multiple alarms
- Safe and reliable

Qingdao Haier Biomedical Co.,Ltd.

No.280 Feng Yuan Road, High-tech Zone,
Qingdao, 266109, P.R. China
Tel: +86-0532-88935593
Website: www.haiermedical.com



Haier Biomedical
International



Haier Biomedical
International



@haiermedicalint



Haier Biomedical
International



Haier Biomedical
International

Product Advantages



Energy Saving

Features include 70mm thick foam layer and optimized refrigeration system which reduces power consumption to less than 6 kWh per day.



Environmentally-friendly

HC refrigerants do not contain chloride or fluoride and have a GWP of just 3. Polyurethane insulation meets European ROHS directives for additional environmental protection.



Excellent Temperature Uniformity

Designed with finned evaporator and double fan system for forced air cooling to provide a uniform temperature of $\pm 2^{\circ}\text{C}$.



Quiet

Optimized system and cabinet design reduces noise output to 43 dB (A).

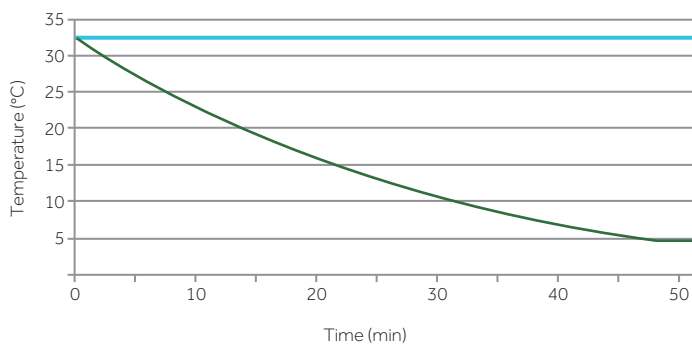


Multiple Alarm for Safe and Reliable Operation

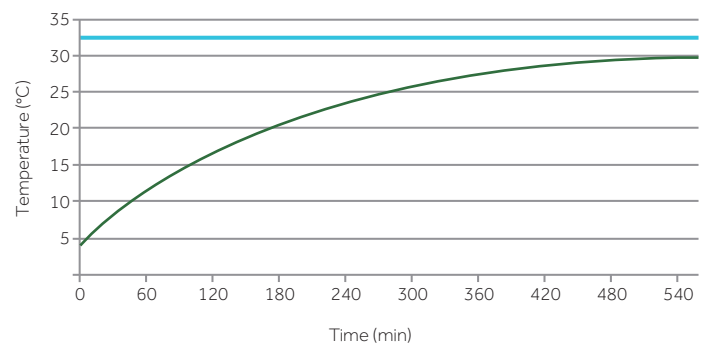
Equipped with upper display sensor, lower display sensor, defrosting sensor, control sensor, ambient temperature sensor, hot condenser sensor.

Typical Performance Characteristics in 32°C Ambient Temp.

Cool down curve



Warm up curve



— Ambient Temp.
— Center Temp.

Product Details

- **Microprocessor control system**

Microprocessor electronic temperature controller, LED temperature display, display precision is 0.1°C

- **Access port**

Standard equipped with a porthole, convenient for users to test or insert probes for remote monitoring

- **Temperature records for compliance**

Standard USB
Optional printer, RS485 interface, etc

- **Casters and leveling leg design**

Standard with 4 universal casters and 2 height adjustable feet to ensure ease of movement and stability

- **Thermally efficient insulation**

70mm thick foam layer to reduce energy consumption and improve cabinet performance

- **Security lock**

Equipped with safety lock with 2 keys to prevent unauthorized access to ensure product safety

- **Cabinet construction**

The liner is sprayed steel plate for easy cleaning

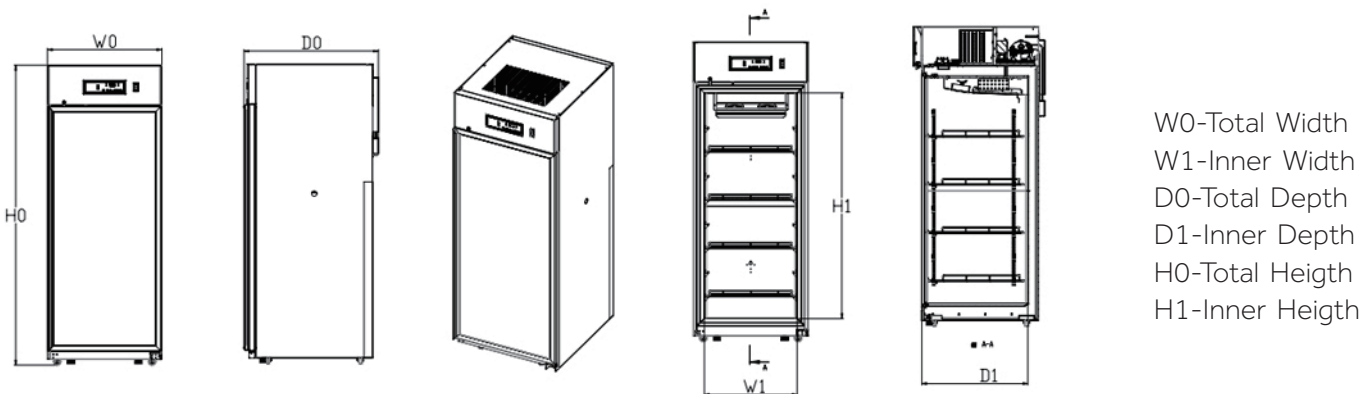
- **Internal configuration**

Supplied as standard with 4 shelves or optional 6 shelves



*Optional: stainless steel liner, printer, RS485 interface, touch screen

Product Dimension Drawings



W0	W1	D0	D1	H0	H1
760	620	897	706	1993	1520

Specifications



Model		HYC-639	
Technical Data	Cabinet type	Upright, glass door	
	Climate class	ST	
	Cooling type	Forced air cooling	
	Defrost mode	Auto	
	Refrigerant	HC	
	Sound level (dB(A))	43	
Performance	Temperature range (°C)	2~8	
Control	Controller	Microprocessor	
	Display	LED	
Electrical Data	Power supply (V/Hz)	220~240/50	
	Power (W)	410	
	Electrical current (A)	2.15	
Dimensions	Capacity (L/Cu.Ft)	639/28.3	
	Net/Gross weight (approx)	kg	200/240
		lbs	551.15/639.33
	Exterior dimensions (W*D*H)	mm	760*897*1993
		in	29.9*35.3*78.5
	Interior dimensions (W*D*H)	mm	620*706*1520
		in	24.4*27.8*59.8
	Packing dimensions (W*D*H)	mm	873*997*2143
in		34.5*39.3*84.4	
	Container load (20'/40'/40'H)	12/26/26	
Safety System	High/Low temperature alarm	Y	
	High ambient temperature alarm	Y	
	Door open alarm	Y	
	Power failure alarm	Y	
	Low battery alarm	Y	
	Sensor error alarm	Y	
	Communication failure alarm	Y	
	Condenser heat alarm	Y	
	Alarm method	Audible + Visual + Remote alarm	
Accessories	Caster	4	
	Foot	2	
	Porthole	1	
	Shelves	4 (6 optional)	
	USB interface	Y	
	Printer	Optional	
Others	Certification	CE	